

Specifications

MODEL	MECHRON2200	MECHRON2200PS	MECHRON2240
ENGINE			
Model	3C100LFU		
Type	3Cyl., In-line Vertical, Water-cooled 4-cycle diesel engine (NTE)		
Engine Gross	hp(kW)	22 (16.4)	
Displacement	cu.in.(cc)	61.45 (1,007)	
Rated Revolution	rpm	2,800	
Fuel Tank Capacity	U.S. gal.(L)	7.4 (28)	
DRIVE TRAIN			
Type	Belt CVT		
Gear Range	Low, High, Neutral, Reverse		
Ground Speed	mph(km/h)	0-25 (0-40)	
Brake	Front/Rear Hydraulic Dry Caliper Disc		
SUSPENSION			
Front Suspension	Independent, MacPherson Strut type		
Rear Suspension	Independent, Double A-Arm (Wishbone type)		
STEERING			
Type	Rack & Pinion	Hydraulic Power	
DIMENSIONS			
Length	in.(mm)	112.3 (2,852)	146.7 (3,725)
Width	in.(mm)	60.7 (1,543)	
Height	in.(mm)	76.4 (1,940)	
Max.Wheel Tread	Front	49.7 (1,262)	
	Rear	48.3 (1,228)	49.8 (1,264)
Wheelbase	in.(mm)	76.4 (1,940)	108.7 (2,760)
Weight (with ATV Tires)	lbs.(kg)	1,861 (844.1)	1,939 (979.5)
Ground Clearance	in.(mm)	12 (304)	
Towing Capacity	lbs.(kg)	1,300 (590)	
Payload Capacity	lbs.(kg)	1,598 (725)	1,325 (601)
Turning Radius	ft.(m)	13.1 (4)	17.7 (5.4)
CARGO BED			
LengthxWidthxDepth	in.(mm)	38.6 (980) x 56.2 (1,427) x 11.5 (293)	
Bed Capacity	lbs.(kg)	1,102 (500)	662 (300)
TIRE SIZE			
Front	Heavy Duty Worksite	25x10-12	
	Turf	26x10.5-12	
	ATV	25x10-12	
Rear	Heavy Duty Worksite	25x11-12	
	Turf	26x10.5-12	
	ATV	25x11-12	
Seat Capacity	3 Seat Bench		2 Rows (2 Seat Bench)
Dump Box Actuation	Manual		
Front Guard	Standard		
Body Color	MECHRON Orange / Green		
Hydraulic Bed Lift	Optional		
Hydraulic Utility Valve	Optional		
Speedometer	Standard		
Rear Hitch Receiver	Standard		
Winch Bracket	Optional	Standard	Optional

*Note: The specifications are subject to change without notice.



KIOTI Tractor Division
 DAEDONG - USA, INC.
 6300 KIOTI Drive, Wendell, NC 27591
 toll free 877-GO-KIOTI • fax 919-374-5001
 web www.KIOTI.com

 www.Facebook.com/KiotiTractor



Optional Equipment

- **CANOPY/WINDSHIELD**
 Sun Canopy Kit
 Windshield Kit
 Windshield Wiper Kit
- **HITCH**
 Front Hitch Receiver Kit
- **HYDRAULICS**
 Hydraulic Dumping Kit
 Remote Hydraulic Kit
 Hand Throttle Kit
 External Hydraulic Hose Kit
- **PROTECTION**
 Skid Plate Kit
 Rear Screen Kit
 Suspension Dust Guard Ki CV Guard Kit
 Muffler Spark Arrester Kit
- **ACCESSORIES**
 Safety Lamp Kit (Horn, Brake Lights, Turn Signal Lamps, Hazard Switch)
 Fog Lamp Kit
 Working Lamp Kit
 Headrest Kit
 Side View Mirror Kit
 Side Rail Extension Kit
 License Plate Kit
 Parking Brake Buzzer Kit
 Winch Kit
 Field Option Cab (MECHRON 2200 only)
 Soft Cabin Kit (MECHRON 2200 only)

The Ultimate Transport Vehicle

MECHRON

2200/2240



KIOTI Tractor / Daedong Ind. Co., Ltd. / 06.17

Part Number LIT-UTV-ALL2





*Where Work and play
come Together*

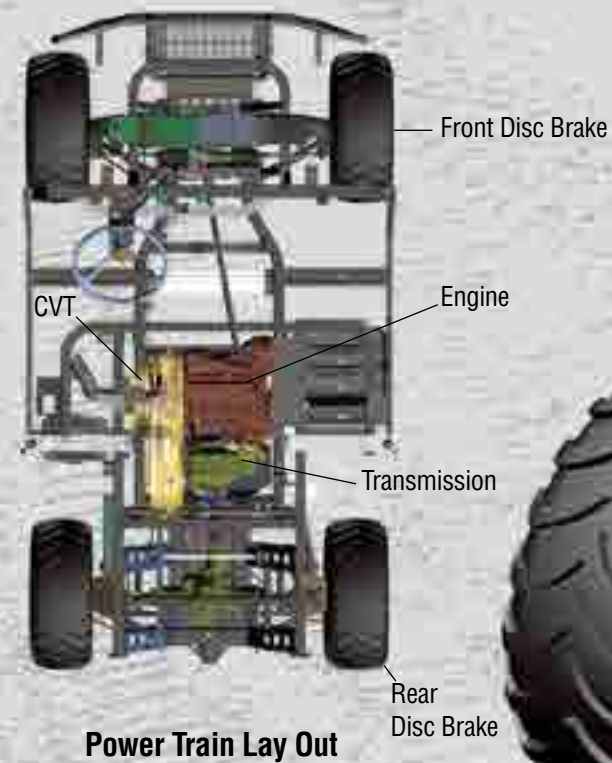


The MECHRON

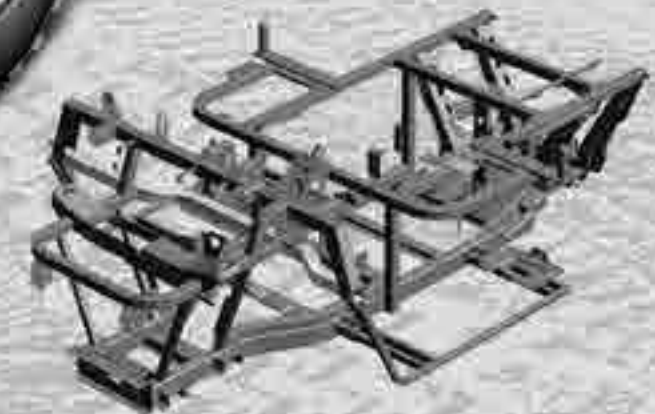
Whether you need a worker on the farm or a way into the woods, the **KIOTI MECHRON 4X4** Utility Vehicle gets all your jobs done. With 4-wheel, fully independent, rear dual A-arm suspension and front MacPherson type suspension, the wide track offers increased stability and an exceptionally smooth ride on even rough terrain. The tight turning radius and rear anti-sway bar provides superb cornering and handling. Wherever work or play takes you, you'll have the ultimate 4-wheel drive performance.



Translating Power into Performance



Front Suspension
A MacPherson Strut type suspension ensures the best ride of all the competition while providing the driver excellent road-feel and control.



Solid Frame
Robust body frame with strong tubular steel and welded ROPS will protect drivers and passengers.

Transmission
The MECHRON uses a continuously variable transmission(CVT) and has a time proven Daedong gear box with two speeds, (Hi/Lo) and 4WD.

Adjustable Rear Suspension
With an adjustable Wishbone type suspension, you can fine tune the MECHRON for the smoothest possible ride whether carrying a load or empty.

Brake System
Long lasting front and rear hydraulic disc brakes with a mechanical parking brake provides excellent performance and enhanced safety.

Engine
The Daedong 3C100LFU (1,007cc, 22hp) diesel engine has been field proven for durability and dependability while offering improved fuel economy.





Field Option Cab (Option on 2200/2200PS)

The Kioti Field Option Cab provides an opening windshield, sliding rear and door glass, dome lamp, wipers with washer fluid switch and an optional heater.

Canopy (Option)
An impact resistant plastic canopy helps to protect the driver and passengers.



Hood
The sleek design of the reinforced plastic hood provides a strong and dynamic look.



Cargo Bed
The MECHRON provides excellent payload capabilities and has the widest cargo bed in its class. Add the optional hydraulic dump kit and you can easily place any load where you want it.



Rear Hitch Receiver
A 2-inch rectangular hitch receiver enables you to attach a trailer and receiver equipped implements.



Differential Locks
• Front: Limited Slip Differential
• Rear: Mechanically Actuated Differential Lock





Powerful acceleration with a Daedong Diesel Engine



Rear Fenders

Reinforced, molded rear fenders mounted under the bed deck keep you and your MECHRON clean under the muddiest conditions.



Ground Clearance

Don't get stuck on the trail. With 12 inches of ground clearance, you can easily climb over obstacles.



Brush Guard

The heavy duty steel brush guard offers protection for the headlights, radiator and front differential from rocks, tough brush and other debris on the trail.



Wheels and Tires

Larger 12-inch wheels and 25-inch tires provide a smooth ride and more ground clearance.



Shift Levers

An in-line shift makes range selection simple and easy. 4WD selection and rear differential lock are engaged with a single pull knob.

Storage Compartments

An open dash storage area on the driver side is complemented by a closed dash storage area with a water proof lid on the passenger side.

Cup Holders

A cup holder on each side is standard with a removable tray for passenger and driver convenience.



Power, Strength, Agility and Comfort

Stretch out on the Wide bench seat with room for passengers and the driver

Floor

With a flat walk-thru design, the MECHRON has excellent leg and foot room for easy entry and exit.

2-Row seating of the new MECHRON 2240 provides a comfortable environment for 4 people.



Dash Board

With its cockpit-like looks, the ergonomically located controls and instruments allow the driver to view critical functions at a glance.

Bench Seat

With a contoured bench seat that is the widest in its class, the 2200 offers room to seat three comfortably. Seat belts are standard for safety.

Standard Instrument Cluster

Speedometer in mph(km/h), hour meter, fuel gauge, coolant temperature gauge, check engine light and turn signal indicators are standard.

